

**SONY**

Hi-Fi Products  
**Service Bulletin**

Sony Service Company Technical Services  
A Division of Sony Corporation of America  
Sony Drive Park Ridge, New Jersey 07656

**Model:** STR-313, TA-313

**No.186**

**Subject:** Output Oscillation After  
Replacement of Output AMP

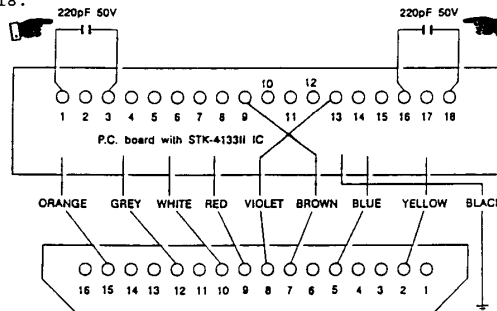
**Date:** April 19, 1991

**Symptom:**  
(53)

After the replacement of the output amp (SI-1125 or SI-1225), with the replacement kit STK-4133II, oscillation at the output can occur. This is because the specifications for the replacement kit and those of the original amp do not match.

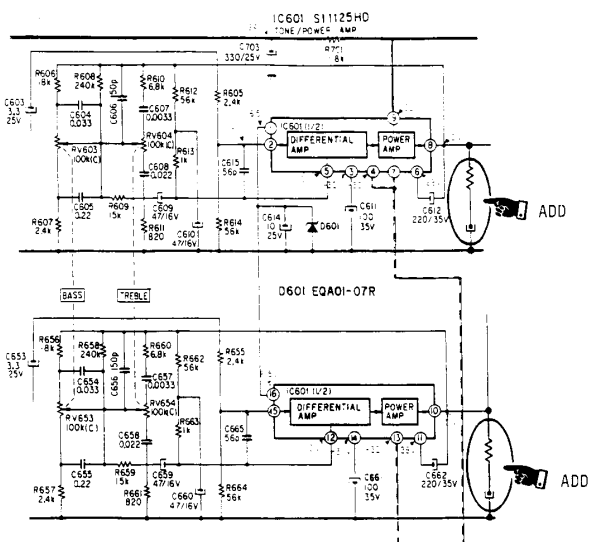
**Solution:** If this symptom occurs, it is necessary to perform the following modifications;

1. Remove the output IC from the board and heatsink.
2. Remove capacitors C661, C662, C612 and C611 from the circuit board (C204, C207, C254 and C257 on the TA-313).
3. Add two capacitors (220pf 50V) to the circuit board that the replacement STK-4133II is mounted on. One cap is to go across pins 1 and 3, the other goes across pins 16 and 18.



4. On the printed circuit side of the Main Amp Board, connect two sets of resistors and capacitors (10 Ohm 1/2W and .033  $\mu$ F 50V). One set between audio output Pin 10 and GND, and the other between Pin 8 and GND. These components can be placed in the locations of the capacitors removed in Step 2.

(Continued)



5. Mount the new IC (and its circuit board) onto the power amp board and heatsink.
6. Modify the length of the black ground wire so that it can reach ground points between capacitor C701, and C702 (C501 and C502 on the TA-313).

**Note:** If the oscillation still occurs, go back to Step 4 and change the values of those capacitors to .056 $\mu$ F 50V.

Description	Part Number
Capacitor, 220pF 50V	1-162-286-31
Capacitor, 0.033 $\mu$ F 50V	1-136-159-00
Capacitor, 0.056 $\mu$ F 50V	1-136-162-00
Resistor, 10 Ohm 1/2W	1-247-727-11